

Troubleshooting

Problem	Check	Solution	Page
Casters do not move smoothly.	Are they tangled with lint or wool?	Remove lint or wool or replace the casters.	*
Chair makes noise.	From which part of the chair do you hear the noise?	Contact our dealer or Customer Service.	—

* Please contact an official dealer.

Materials and Surface Finish

Part		Materials	Surface Finish
Back	Mesh frame	Nylon	—
	Mesh	Polyester	—
Seat	Shell	Polypropylene	—
	Cushion	Urethane foam	—
	Cover fabric	Polyester	—
Leg	Leg frame	Steel	Polyester coating
	Caster	Hard Nylon	—
Armrest		Nylon	—
Tablet		Nylon	—

*Note that product specifications may change without notice in order to improve them.

Meeting chair

AN

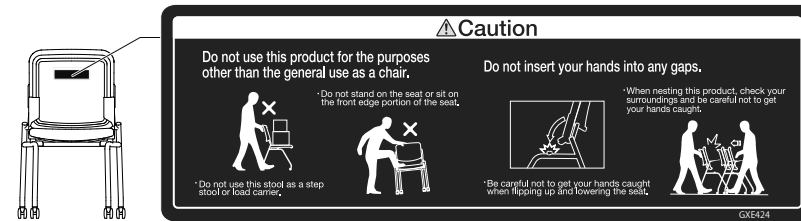
Instructions for Use



Safety Instructions (Make sure to follow these instructions)

Caution This indicates that improper handling may cause injury or property damage.

■ Explanaton of COUTION label

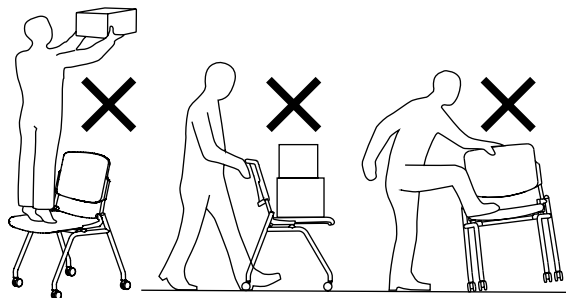


- The caution label on the left is on the product to prevent users from harming or damaging life, themselves, or property.
- Do not tear, damage, erase the letters or peel the caution label.

Caution

Do not handle roughly, or use improperly. Failure to follow the safety precautions cause injury or damage to the product.may

- Do not use this product as a step stool or load carrier.
- Do not stand on the chair or sit on the front edge portion of the seat.
- Do not sit on other than the seat.



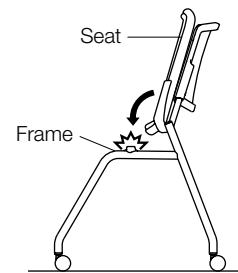
- Do not hit hard the back of this product against the edge of the tablet. It may cause damage to the resin part of the back and tearing of the upholstery.

Do not put your fingers or hands into the spaces or moving parts of the product. This may lead to injuries.

Be careful of the following items since it may cause injury or damage the product.

- If found unstable due to loosening of bolts or screws, retighten them.
- Do not use if any parts come off.

When lowering the folded seat, be careful not to get your hands or fingers caught between the seat and the frame



Do not disassemble or repair on your own.

- Do not attempt to disassemble or repair the product yourself. Please contact our official dealers when needed.
- If found any loose bolts or screws, do not use the product. Failure may cause damage to the product and result in injury.

Do not reconfigure. This leads to malfunction or accident.

- Reconfiguring by yourself causes the product to malfunction or accident. Okamura will have no responsibility for any disadvantages caused by remodeling.
- If you need remodeling, contact our official dealers beforehand.

Wheels

- The wheels are consumable parts. Wheel replacement is available for a fee. Contact our Customer Service.

Maximum loading capacity

items	Maximum loading capacity
Tablet	5 kg(11lb) (uniformly distributed weight)

* What is "Uniformly distributed weight" ?

It means to load on a work surface, etc. evenly. Uneven loading on the product may cause balance loss and thus drop or fall.

Installation

Please follow instructions below. Failure may cause serious damage to the product and Okamura will have no responsibility for any damages.

Indoor use only.

- No outdoor or waterfront use.

Avoid high temperature, high humidity, or extraordinary aridity.

Do not place product under heater or airconditioner exhausting high temperature air.

Avoid direct sunlight

- When placing alongside windows, use curtains or blinds to avoid direct sunlight.

Do not place on uneven floor.

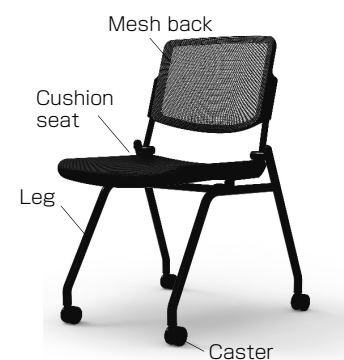
- Make sure to place the product on an even floor when using. Failure may cause the product to deform or to be damaged.

Appropriate Ventilation Measures

- Many chemical substances will be released by the product when it is first purchased. Sufficiently ventilate or expose the product to moving air for some time after purchasing it.
- Do not completely close windows when using the product in rooms with conspicuously high temperatures/humidity (the benchmarks for these are temperatures in excess of 28°C (82.4°F) and relative humidity in excess of 50%).

Parts Name

■ Without armrests



■ With armrests



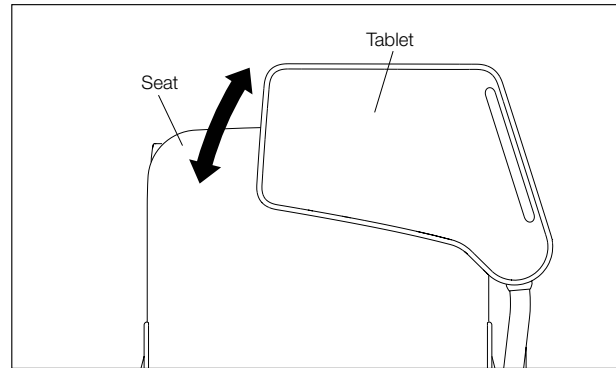
■ With tablet



Operation Guide

■ Tablet Opening and Closing Mechanism

The tablet includes an open/close mechanism, making it easy to rise from the chair even when the tablet is horizontal. The nesting pitch is also small, optimizing space efficiency.



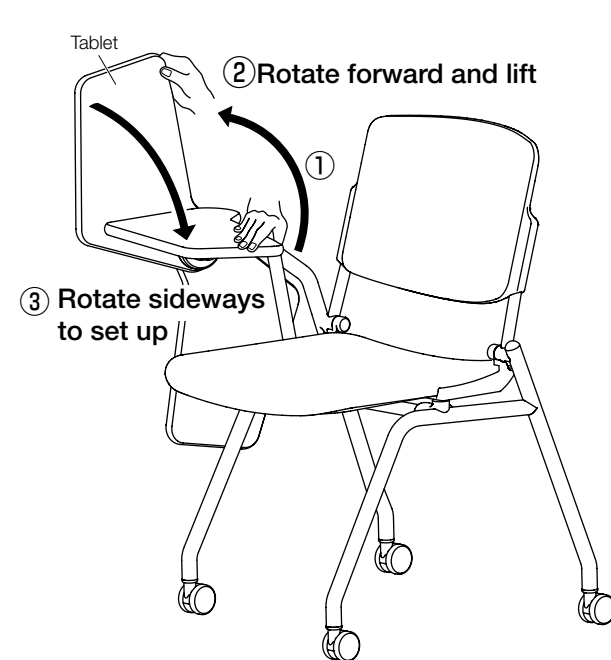
■ Tablet Setup and Storage Method

The tablet can be folded and stored when not in use.

[How to Set Up the Tablet]

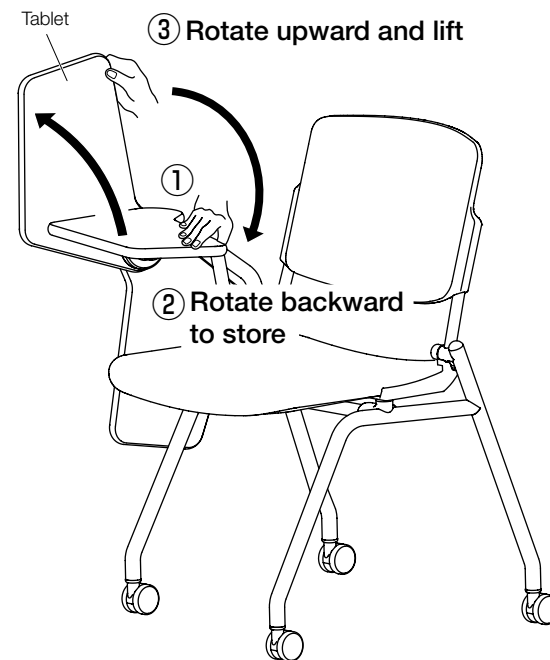
Rotate the main Tablet body from position (1) (stored state) in direction (2) (forward) and lift it up.

Next, rotate it in direction (3) (sideways) to set it up.



[How to Store the Tablet]

Rotate the main Tablet body from position (1) (set-up state) in direction (2) (upward) and lift it up. Then, rotate it in direction (3) (backward) to store it.



⚠ Caution

- Do not place items exceeding the maximum load capacity (5kg) or fragile items on the tabletop. Additionally, do not move the chair while items are placed on it. The item may fall to cause you to get injured or damage to the product.
- Do not lean on or sit on the tabletop. Doing so may cause deformation, tipping, or injury.
- Avoid placing your fingers or hands in the mechanism or gaps, as this may cause injury.

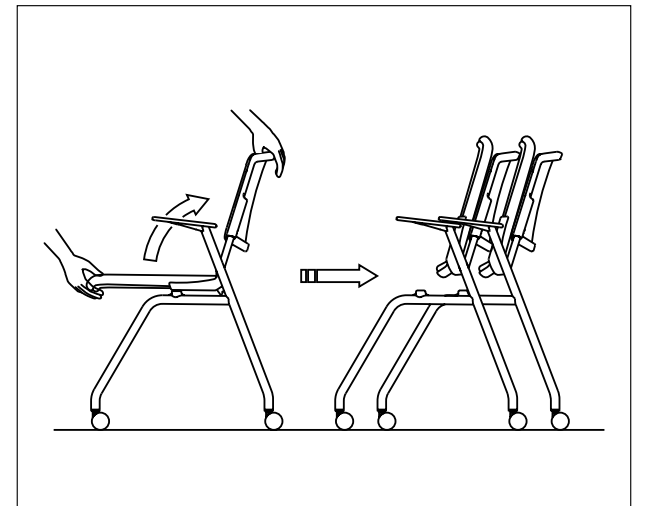
Operation Guide

■ Nesting storage method

Space-saving storage is possible.

[Storing the product]

- While holding the upper portion of the back by one hand, lift the center portion of the front edge of the seat. At that time, be careful not to get your hands or fingers caught between the seat and the back.
- With the seat completely folded, store the product by nesting. Do not perform nesting storage with the seat lowered. Failure may cause damage to the product.



⚠ Caution

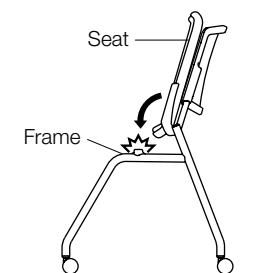
- Be careful not to get your hands or fingers caught between the back and the seat.
- Before nesting storage, check your surroundings and be careful not to get your hands caught. Careless handling may cause injury.

[Using the product]

- With the seat completely folded, pull the product out of the storage location.
- Do not lower the seat with the product kept in the nesting storage state. Failure may cause damage to the product.
- Do not perform nesting storage with the seat lowered. Failure may cause damage to the product.
- While holding the upper portion of the back by one hand, lift the center portion of the front edge of the seat.
- Confirm that the seat is completely lowered before use.

⚠ Caution

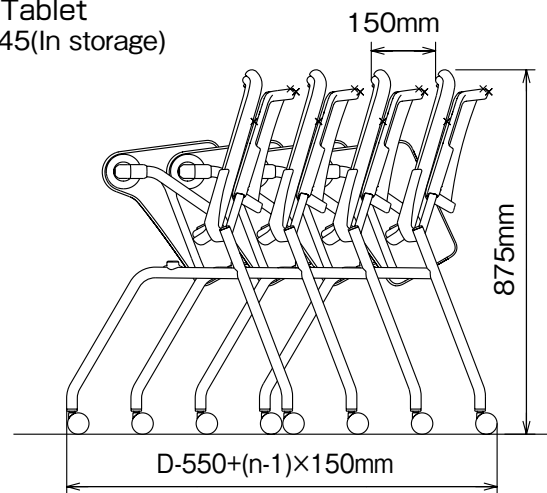
- When lowering the seat or sitting on the seat, do not place your hands near the frame under the seat. Careless handling may cause injury.



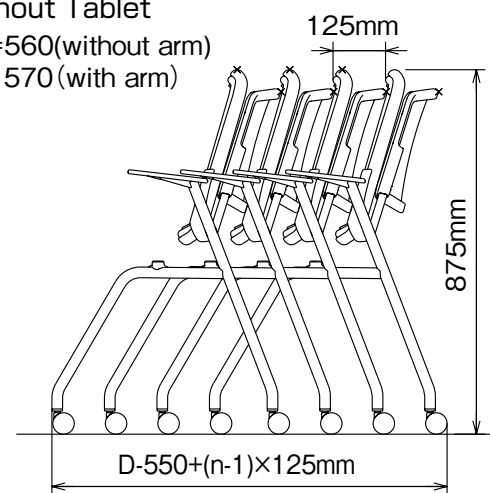
Operation Guide

Space for storing n units of products

With Tablet
W=645(In storage)



Without Tablet
W=560(without arm)
570 (with arm)



Instructions to Extend the Life of Product

Please follow instructions below. Failure may cause serious damage to the product and Okamura will have no responsibility for any damages.

Operating Precautions and Maintenance

- If the product has become unsteady due to loosening of the bolts or screws during use, retighten them immediately.
- Avoid direct exposure to steam. Failure will cause rust.
- Wipe off any water on the Worktop with a dry and soft cloth.
- This instruction manual is very important, so store it in an easily accessible location.
- Regular maintenance is recommended for long-life use. Make your request to us early for inspections and repairs (fees required) when the warranty period has expired.

Maintenance

Cloth part

- Brush with a soft brush or tap the surface softly and vacuum to remove dust to avoid damaging the cloth.
- When it gets dirty after extended period of time, wipe with a well wrung soft cloth moistened with thin neutral detergent. Wipe clean with a damp cloth. Be sure to wipe detergent completely and wipe again with a dry cloth to dry it.
- When using alkaline electrolyzed water to remove stains, spray directly on the stain and brush with a soft brush taking care not to damage the cloth. Then, wipe the moisture and stain to remove and wait for the cloth to dry.
- When it gets an oily stain, dab and remove it by using a dedicated stain remover immediately. Then wipe with a soft cloth dampened with water, followed by a dry cloth to dry. Stains may be permanent depending on the material .

<Caution>

- Remove stains as quickly as possible.
- Avoid causing a circular stain, remove not only the stain but also wipe off thoroughly around the stain.
- Try the cleaner on inconspicuous area first since the surface may discolor or deteriorate by using it.

Resin part

- Wipe with a well wrung soft cloth moistened.
- If dirt is noticeable, wipe it off with a well wrung soft cloth moistened with thin neutral detergent. Be sure to remove detergent completely with a damp cloth and wipe again with a dry cloth to dry it.