

Rin

Assembly Instruction & Instructions for Use

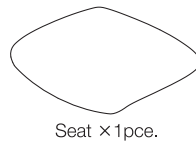
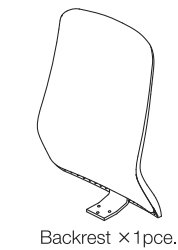
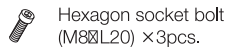
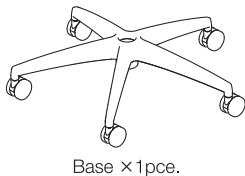
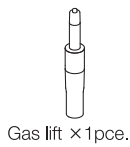
Thank you for purchasing Okamura "Rin" product. This instruction manual will enable to properly use the "Rin" product. Thoroughly read this instruction manual and fully understand its content before using the product. Also, we recommend having this instruction manual nearby whenever using the product.



Component List

(Check the components before starting assembly)

■ Main body (standard parts)



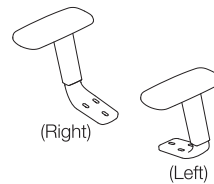
Nominated Tools



Hex key wrench (6 mm)

■ Option parts

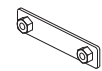
Adjustable arm × 1pce. each



Nominated Tools



Hex key wrench (5 mm)



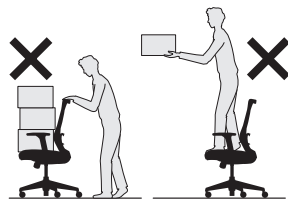
Mounting bracket × 1pce.

Safety Instructions (Make sure to follow these instructions)

⚠ Caution Indicates that improper handling may cause injury or property damage.

• Do not handle roughly, or use improperly.

- Do not use as a carrier.
- Do not stand on the chair or sit on the front side of seat or armrest.
- Do not sit on any parts other than the seat.



• Disassembly/repair.

The seat raising mechanism (gas lift) contains high pressure gas, and in the event any irregularities are found, any disassembly or repair attempts by the customer are extremely dangerous for this part in particular, so please do not attempt disassembly or repair, contact official dealers.

- Do not disassemble or repair on your own. Please contact official dealers when needed.
- No remodeling. Okamura will have no responsibility for any disadvantage caused by remodeling.
- Do not insert hands into any gaps or movable parts.

Instructions to Extend the Life of Product

• Indoor use only.

- Do not use outdoors or places with water, as exposure to moisture could result in problems such as warping or the growth of mold.
- Avoid keeping the product in direct sunlight as this could result in warping or fading of colors due to exposure to the sun.

• When placing alongside windows, use curtain or blind to avoid from direct sunlight.

• Avoid high temperature, high humidity, or extraordinary aridity.

• Do not place product under heater or air-conditioner exhausting high temperature air.

• Do not place on uneven floor.

• Instructions for Use and Maintenance.

If the product has become unsteady due to loosening of the bolts or screws during use, retighten them immediately. Frequent maintenance of the product during its use is the key to making it at last a long time.

• Metal part and resin part care.

For daily care, briskly wipe with a well wrung-out, soft cloth. If there is any significant dirt, wipe with thinned neutral detergent and carefully wipe down with water to ensure no detergent remains, then wipe dry with a dry, soft cloth.

• Mesh material, cushion part care.

After tapping the mesh section with your hand, use an electric vacuum to remove any remaining dust. The cushion part cannot be cleaned, so if it becomes significantly dirty, it is recommended to replace it with a new cushion part.

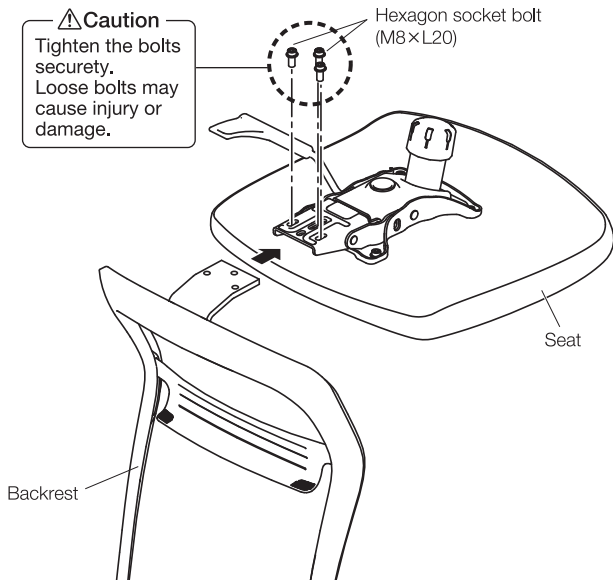
OKAMURA

1 Backrest attachment

Attach the backrest and the seat by using washers (M8) and hexagon socket bolts (M8 × L20).

* Tools: 6mm hexagonal wrench(Allen wrench). Factening Torque: 12.5N*m

⚠ Caution
Tighten the bolts securely. Loose bolts may cause injury or damage.

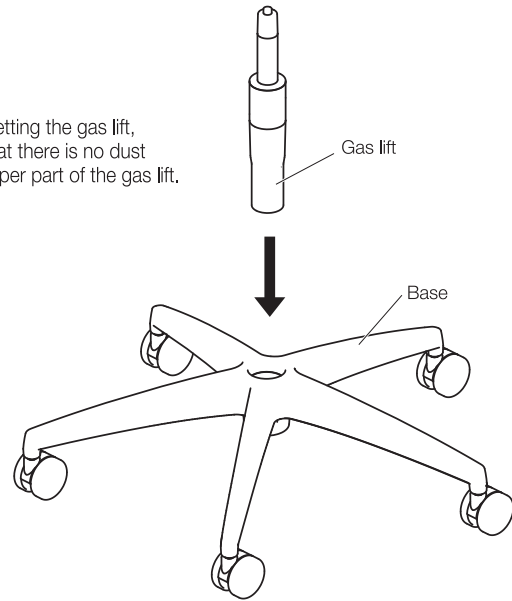


* Place the backrest and the seat upside down on a table for assembly.
* Assembly must be conducted by two or more people..

2 Gas lift attachment

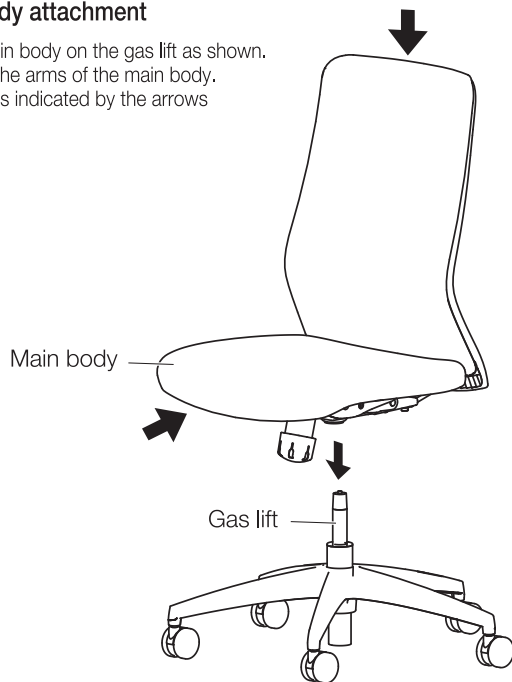
Place the gas lift to the 5-star base.

Before setting the gas lift, check that there is no dust on the taper part of the gas lift.



3 Main body attachment

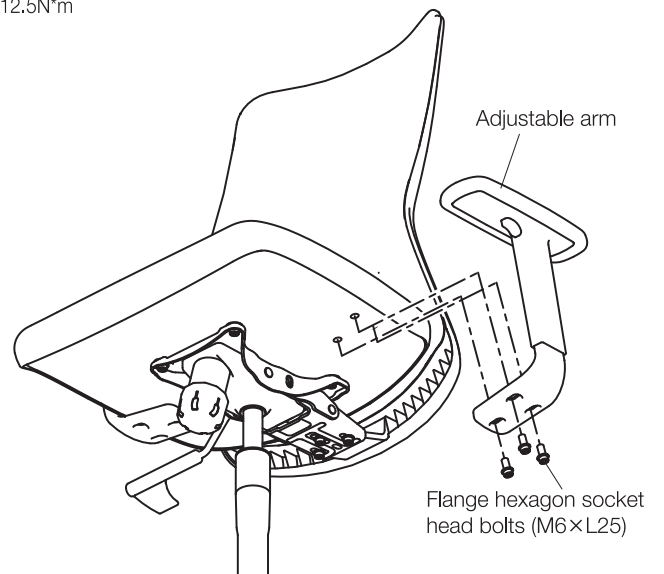
Place the main body on the gas lift as shown. Do not hold the arms of the main body. Hold the parts indicated by the arrows in the figure.



4 Arm attachment

Attach the arms to the frame arm attachment locations by using flange hexagon socket head bolts (M6 × L25).

* Tools: 5mm hexagonal wrench (Allen wrench) Factening Torque: 12.5N*m



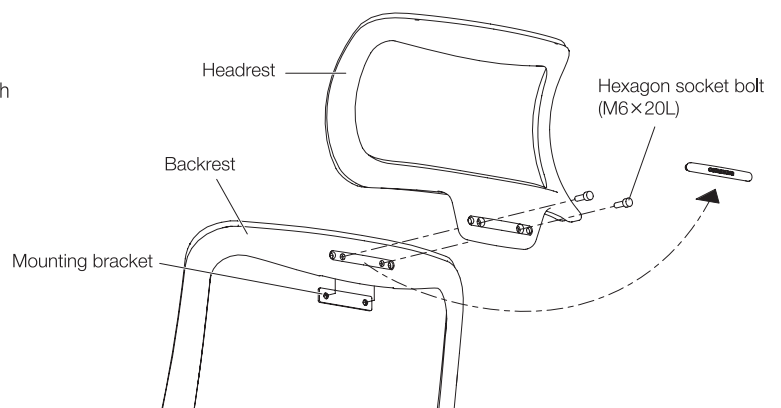
5 Headrest attachment

Headrest (option) attachment and replacement

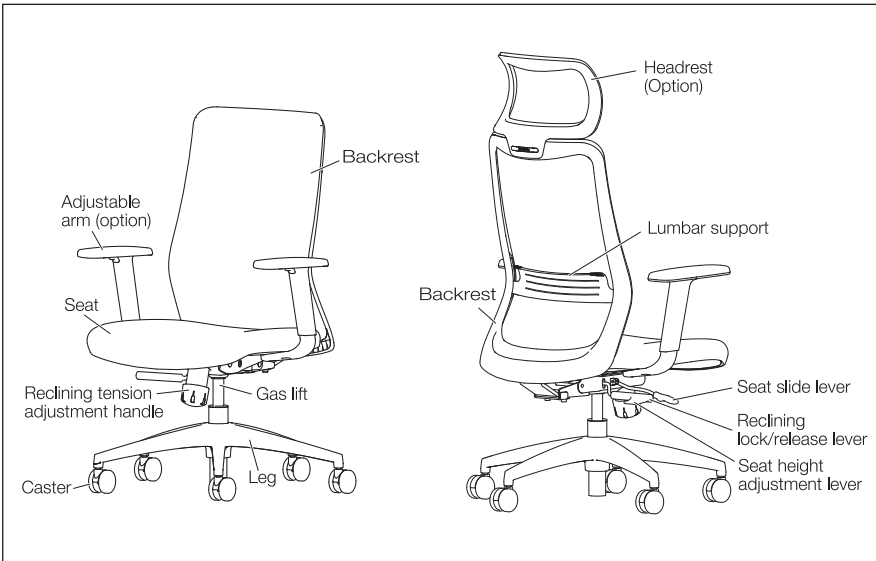
Attach the Headrest on the backside of the backrest by securing it with hexagon socket bolts (M6 × 20L) and Mounting bracket.

* Make sure that the Headrest is secured completely before using.

Tools: 5mm hexagonal wrench (Allen wrench)



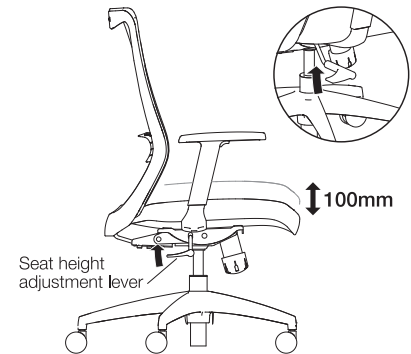
Part Names



Operation

■ Seat height adjustment

Adjust using the "seat height adjustment lever" on the bottom right of the seat. If the lever is lifted upwards with a person's weight on it, the seat will be lowered and will then be locked in place at the position when the lever is released. To raise the seat, pull the lever upwards with your weight raised slightly off the seat.



■ Lock and Release of Backrest

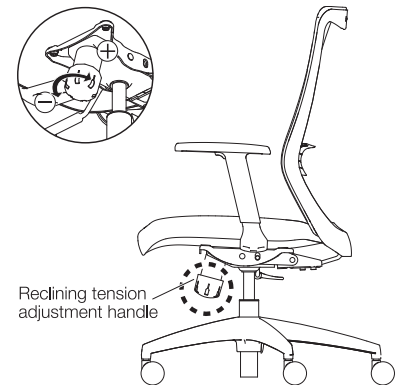
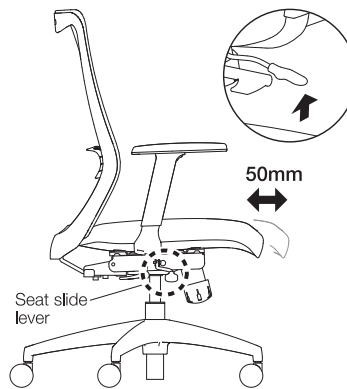
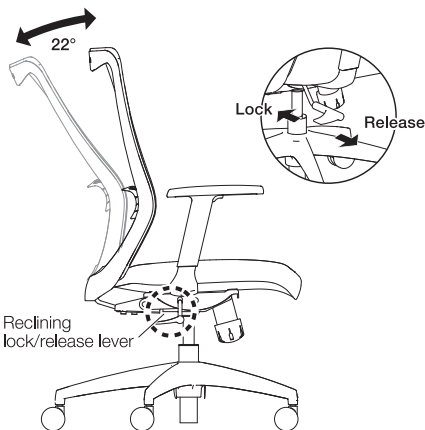
The backrest can be locked and released by pulling out the lever located underneath the seat on the right-hand side. The backrest can be locked at an intermediate angle between upright and full reclining.

■ Seat depth adjustment

With your weight raised slightly off the seat, pull the "seat slide lever" on the bottom right of the seat upwards and pull the seat slightly upwards while moving the seat forwards or back.

■ Reclining tension adjustment

Turn the tension adjustment handle in the "+" direction to increase tension and in the "-" direction to decrease tension. Adjust so that it is comfortable for you.

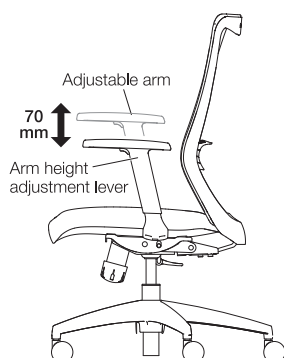
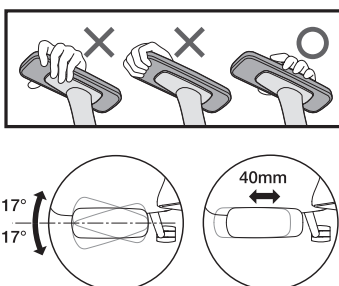


Operation

■ Arm height and angle adjustment (option)

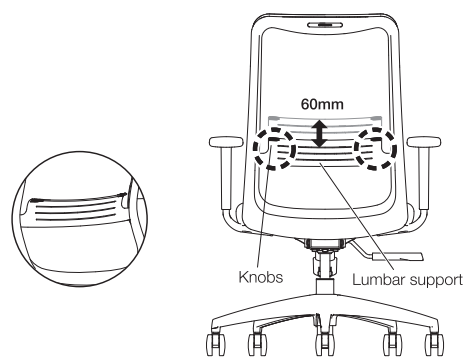
Push the arm height adjustment button at the side of armrest. The arm height can be adjusted up and down within a range of 70mm by pushing and holding the button. Lock again by releasing the button. Holding the arm pads and rotating them left and right allows for adjustment of their angles (17° inside, 17° outside). They can also be adjusted forward and back within a range of 40mm.

⚠ Caution: Be carefull not to nip your fingers into back of the arm pad.



■ Lumbar support height adjustment (option)

Move the Lumbar support up and down by grasping the left and right knobs which are attached behind the back of the chair. The Lumbar support can be moved up and down within a range of 60 mm.



Materials

Part		Materials	
Structural parts	Backrest	Frame	Glass-reinforced polyamide >PA-GF<
	Seat	Inner shell	Wood
	Support base		Metal (steel)
	Legs		Metal (aluminum) >ADC< or Glass-reinforced polyamide >PA-GF<
	Adjustable arm	Pad	Polyurethane >TPU<
		Body	Glass-reinforced polyamide >PA-GF<
		Frame	Glass-reinforced polyamide>PA-GF<
Headrest	Frame	Glass-reinforced polyamide>PA-GF<	
Covering material	Mesh	Polyester	
	Cloth	Polyester	
Cushion material	Seat	Polyurethane >PUR<	

※ >XX< indicates the materials of the parts. This information is useful when recycling.

※ Please understand that product specifications might change without prior notification when improvements are made to the product.