

Meeting chair

AS

Instructions for Use



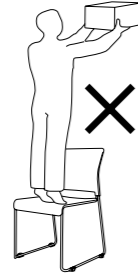
Safety Instructions (Make sure to follow these instructions)

⚠ Caution This indicates that improper handling may cause injury or property damage.

⚠ Caution

Do not handle roughly, or use improperly. Failure to follow the safety precautions cause injury or damage to the product.

- Do not use this stool as a step stool or load carrier.
- Do not stand on the chair or sit on the front edge portion of the seat.
- Do not sit on other than the seat.



- If found unstable due to loosening of bolts or screws, retighten them.
- Do not use if any parts come off.

Do not disassemble or repair on your own.

- Do not attempt to disassemble or repair the product yourself. Please contact our official dealers when needed.
- If found any loose bolts or screws, do not use the product. Failure may cause damage to the product and result in injury.

Do not put your fingers or hands into the spaces or moving parts of the product. This may lead to injuries.

Do not reconfigure. This leads to malfunction or accident.

- Reconfiguring by yourself causes the product to malfunction or accident. Okamura will have no responsibility for any disadvantages caused by remodeling.
- If you need remodeling, contact our official dealers beforehand.

Be careful of the following items since it may cause injury or damage the product.

- Do not leave any abnormalities as is during use. Failure may cause the main unit to be broken and cause injury.

Installation

Please follow instructions below. Failure may cause serious damage to the product and Okamura will have no responsibility for any damages.

Indoor use only.

- No outdoor or waterfront use.

Avoid high temperature, high humidity, or extraordinary aridity.

Do not place product under heater or airconditioner exhausting high temperature air.

Avoid direct sunlight

- When placing alongside windows, use curtains or blinds to avoid direct sunlight.

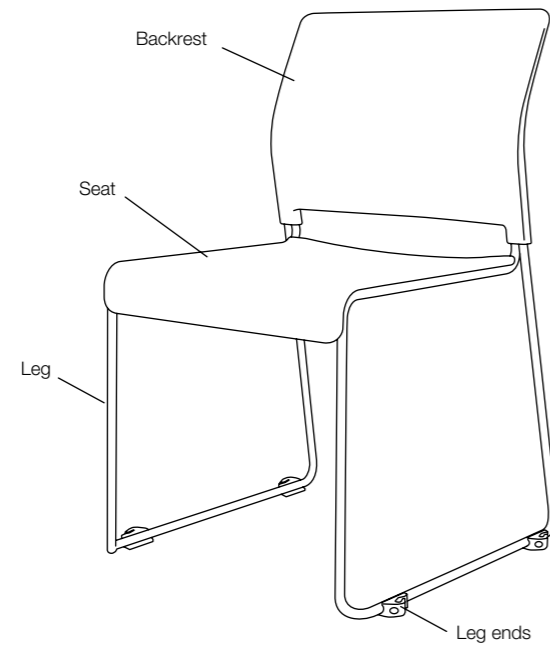
Do not place on uneven floor.

- Make sure to place the product on an even floor when using. Failure may cause the product to deform or to be damaged.

Appropriate Ventilation Measures

- Many chemical substances will be released by the product when it is first purchased. Sufficiently ventilate or expose the product to moving air for some time after purchasing it.
- Do not completely close windows when using the product in rooms with conspicuously high temperatures/humidity (the benchmarks for these are temperatures in excess of 28°C (82.4°F) and relative humidity in excess of 50%).

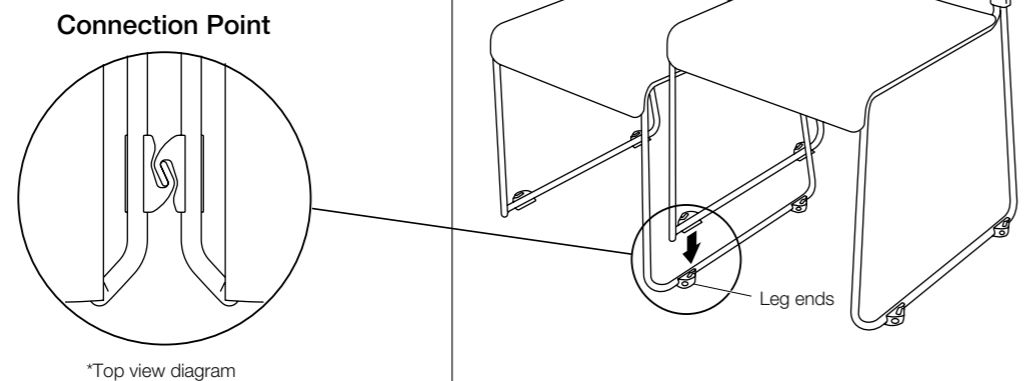
Parts Name



Operation Guide

Chair Connection

This product is equipped with standard interlocking leg ends. Chairs can be connected by inserting the leg ends of one chair into those of another from above and securing them together.



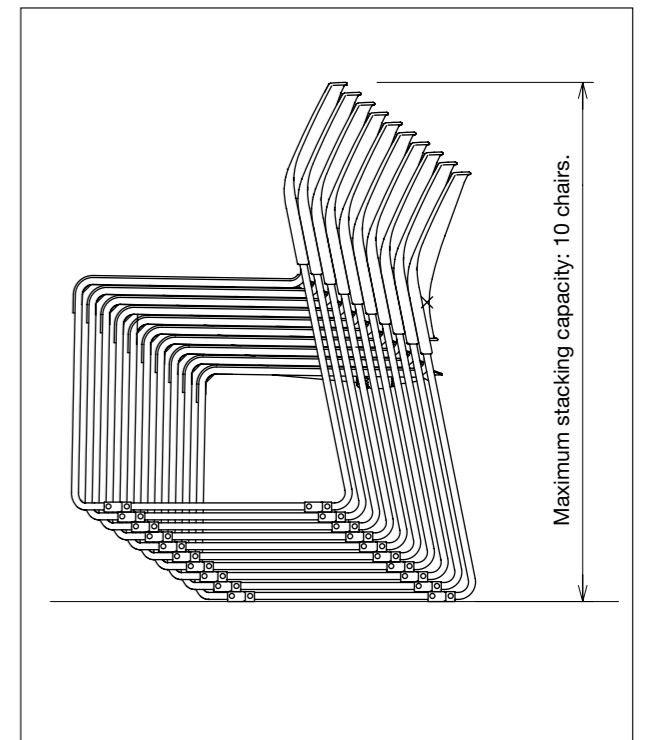
Operation Guide

Horizontal Stacking

Up to 10 chairs can be stacked horizontally. Holding the sides of the seat, place the chair onto the seat of another one. Be careful to avoid misalignment to the left or right when stacking, as this may cause the seat or edges to come into contact, resulting in dirt or tears to the seat upholstery.

Caution

- Take care not to pinch fingers, clothing, or other items during stacking.
- Do not move while stacked. Otherwise overturning or damage could occur.



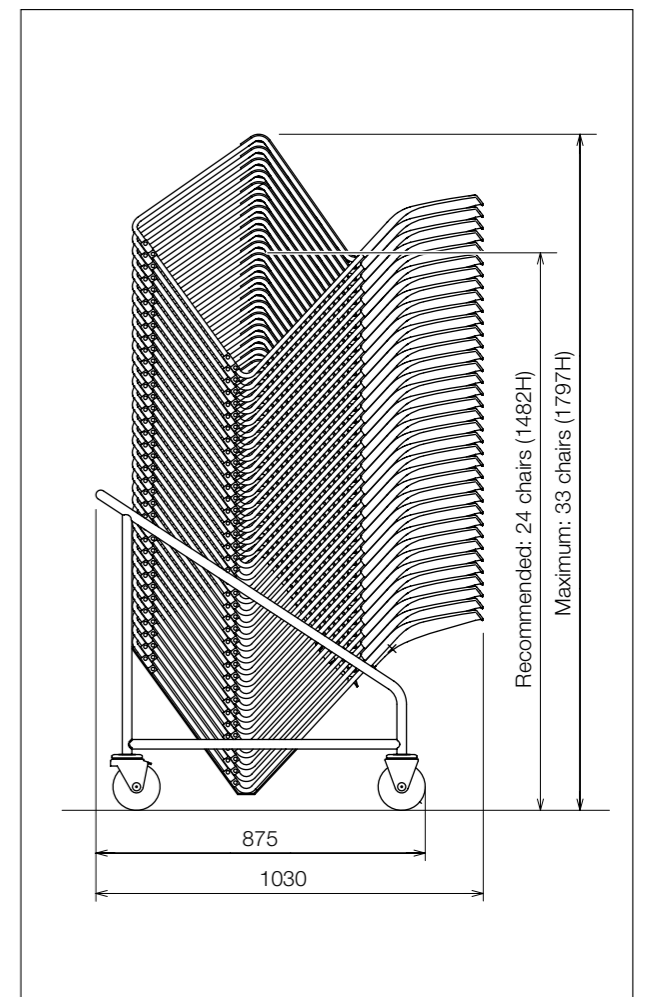
Dedicated Dolly

The recommended stacking capacity is 24 chairs, with a maximum capacity of 33 chairs. When moving, hold the lower section and move straight along the longer side.

Product Dimensions: Width 690mm Depth 825mm Height 487mm

Caution

- Take care not to pinch fingers, clothing, or other items during stacking.
- Do not move while stacked. Otherwise overturning or damage could occur.



Instructions to Extend the Life of Product

Please follow instructions below. Failure may cause serious damage to the product and Okamura will have no responsibility for any damages.

Operating Precautions and Maintenance

- If the product has become unsteady due to loosening of the bolts or screws during use, retighten them immediately.
- Avoid direct exposure to steam. Failure will cause rust.
- Wipe off any water on the Worktop with a dry and soft cloth.
- This instruction manual is very important, so store it in an easily accessible location.
- Regular maintenance is recommended for long-life use. Make your request to us early for inspections and repairs (fees required) when the warranty period has expired.

Maintenance

Resin part

- Wipe with a well wrung soft cloth moistened.
- If dirt is noticeable, wipe it off with a well wrung soft cloth moistened with thin neutral detergent. Be sure to remove detergent completely with a damp cloth and wipe again with a dry cloth to dry it.

Main Materials and Surface Finishes

Part		Materials	Surface Finish
Backrest, Seat	Shell	Polypropylene	—
Leg	Body	Metal (Steel)	Polyester
	Silver Frame		
	Leg ends	Nylon	—

* Please understand that product specifications might change without prior notification due to improvements made to the product.